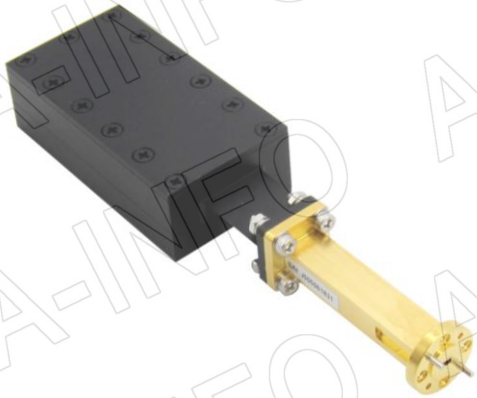
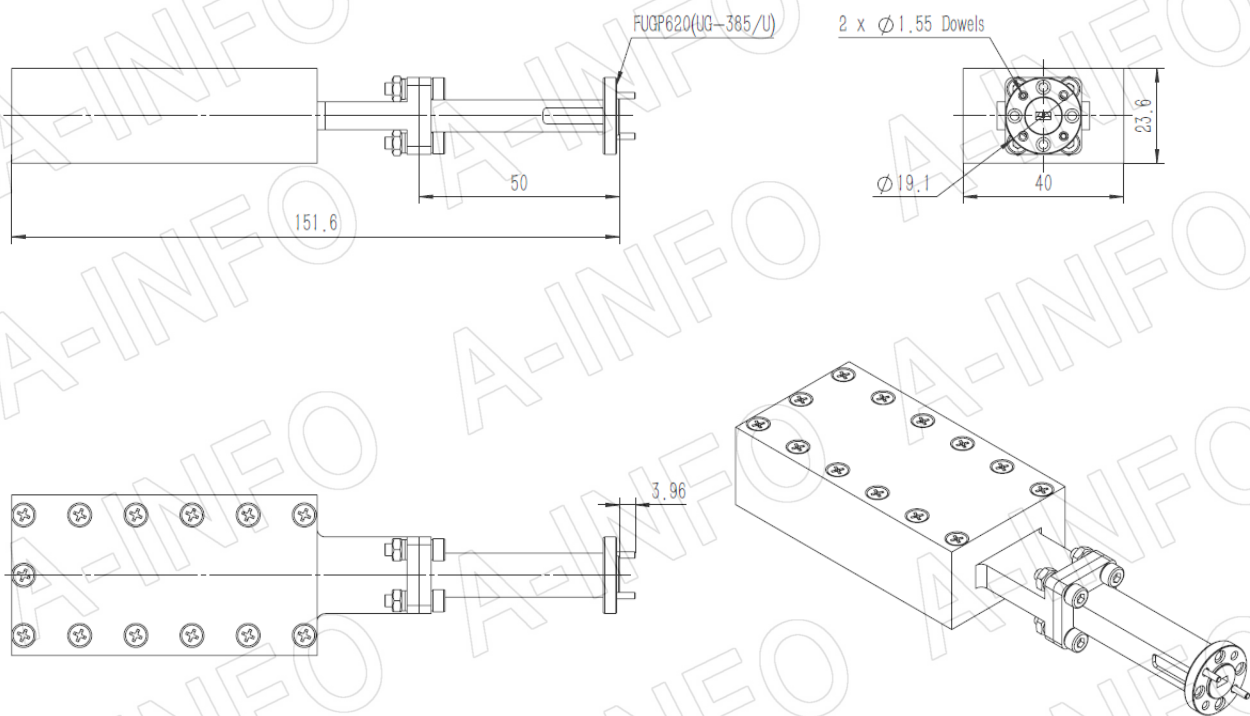


Technical Specification



EIA WR	WR15
Frequency Range(GHz)	50.0 - 75.0
VSWR	1.20:1 Max.
Average Power(W CW)	35
Peak Power(KW)	25
Flange	FUGP620(UG-385/U)
Material	Al
Size(mm)	151.6 x 40 x 23.6
Net Weight(Kg)	0.25 Around

Outline Drawing (Size: mm)



AINFO Inc.

Page 1 of 3

China(Beijing):
China(Chengdu):
USA :

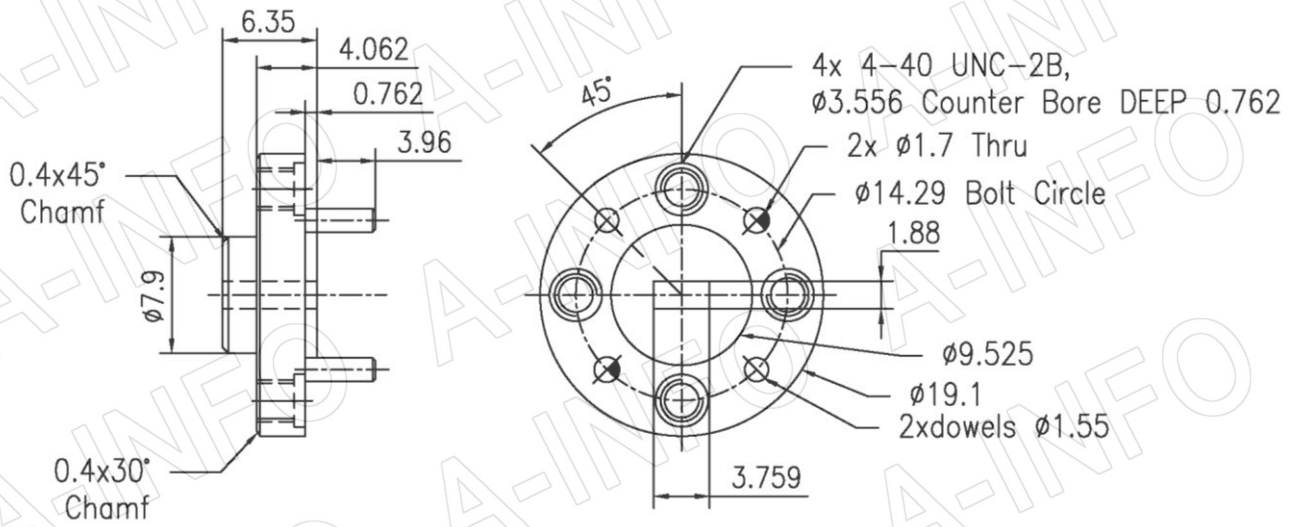
Tel: (+86) 10-6266-7326,
Tel: (+86) 28-8519-2786,
Tel: (+1) 949-639-9688,

(+86) 10-6266-7327
(+86) 28-8519-3044
(+1) 949-639-9608

Fax: (+86) 10-6266-7379
Fax: (+86) 28-8519-3068
Fax: (+1) 949-639-9670

Website: www.ainfoinc.com
Email: sales@ainfoinc.com

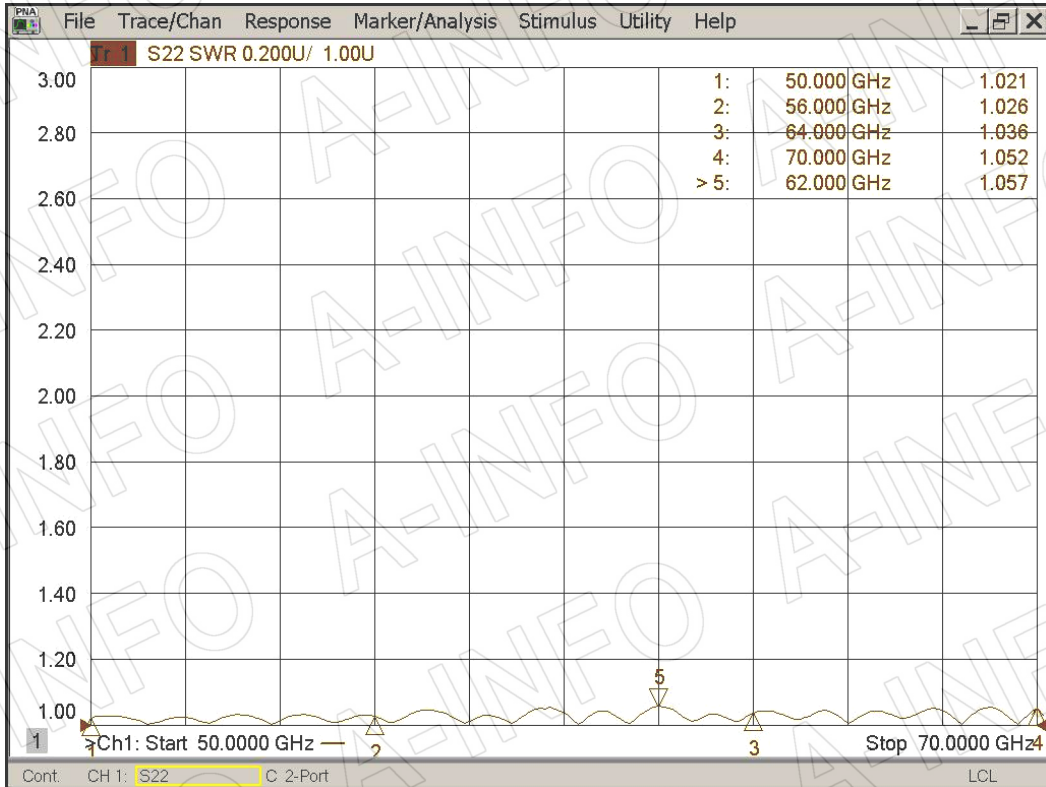
Flange Drawing (Size: mm)



FUGP620
(equivalent to UG-385/U)

Test Results

VSWR (@50-70GHz)



VSWR (@70-75GHz)

